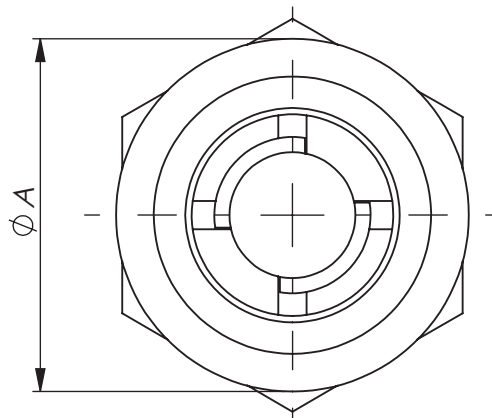
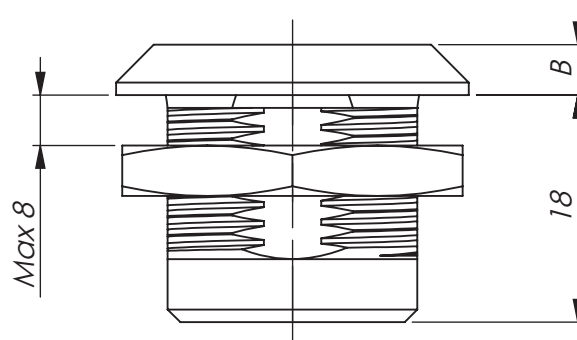
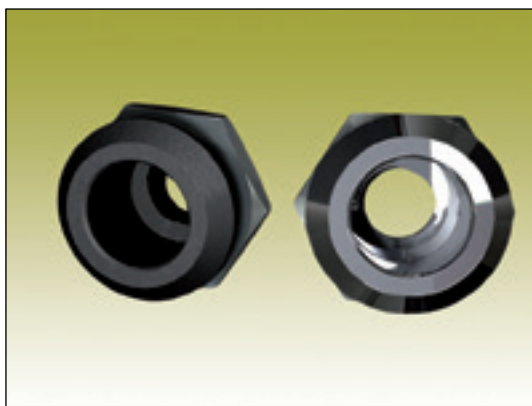


- 1 Rod latch systems
- 2 Quarter-turns
- 3 Hinges
- 4 Sealing profiles
- 5 Miscellaneous
- 6 Stainless



Universal LH / RH



HOUSING FOR VIBRATION RESISTANT QUARTER-TURN LATCH - 18 mm

Universal clockwise or counter-clockwise rotation when opening / closing. Supplied with nut.

Earthing nut is recommended for all applications where electricity is connected.

Stainless version: Page 6-111.
Complete latch assembly: Page 2-020a.

Inserts: Page 2-022.
Cams: Page 2-481, 2-491, 2-510 and 2-520.

MATERIAL:

Housing: Zinc die-cast, chrome plated, black texture powder coated, zinc plated with black PA6 collar or glass fibre reinforced polyamide PA6.
Standard or Earthing nut: Zinc die-cast, zinc plated.

HOUSING FOR VIBRATION RESISTANT QUARTER-TURN LATCH - 18 mm						
P/N	Description	Material	Surface treatment	Nut	A	B
211301-IB	Housing	Zinc	Chrome	Standard	28	4
211302-IB	Housing	Zinc	Chrome	Earthing nut	28	4
211305-IB	Housing	Zinc	Chrome	Standard	32	6
211306-IB	Housing	Zinc	Chrome	Earthing nut	32	6
211601-IB	Housing	Zinc	Black	Standard	28	4
211602-IB	Housing	Zinc	Black	Earthing nut	28	4
211605-IB	Housing	Zinc	Black	Standard	32	6
211606-IB	Housing	Zinc	Black	Earthing nut	32	6
215032-IB	Housing	PA6	-	Standard	28	4
215033-IB	Housing	PA6	-	Standard	32	6
219150-IB	Housing/PA6 collar	Zinc/PA6	-	Standard	28	4
219151-IB	Housing/PA6 collar	Zinc/PA6	-	Earthing nut	28	4