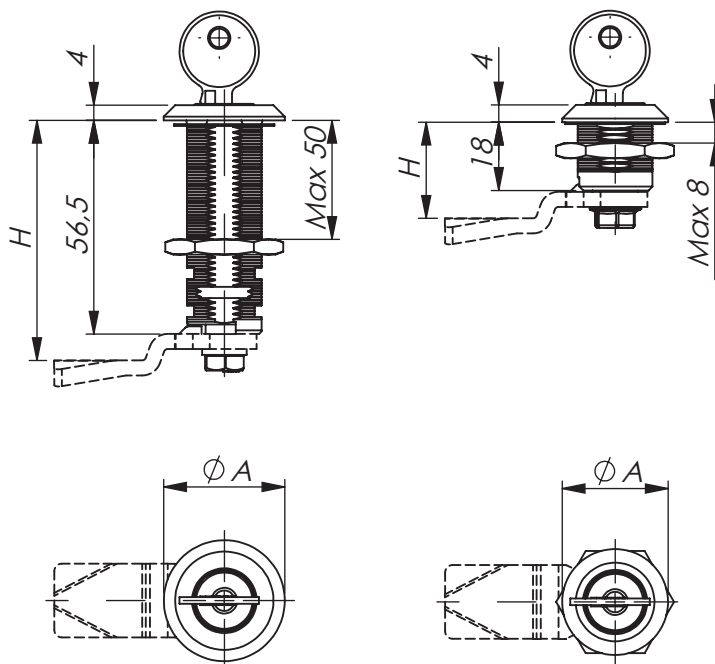
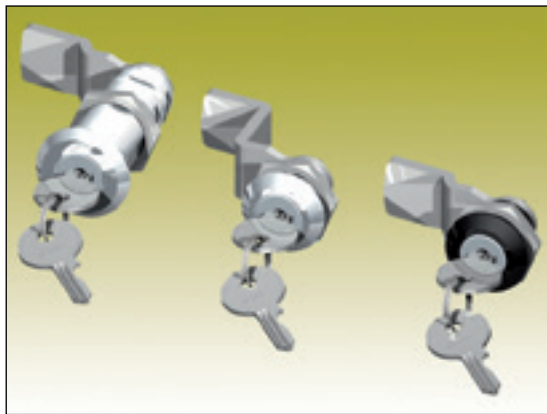


- 1
Rod latch systems
- 2
Quarter-turns
- 3
Hinges
- 4
Sealing profiles
- 5
Miscellaneous
- 6
Stainless



IP54 Protection degree

Universal LH / RH



CYLINDER LOCK 18 - 56 mm

Quarter-turn cylinder lock. Universal clockwise or counter-clockwise rotation when opening / closing. Supplied with nut. Protection degree IP54.

Cams with projection: 2-480 and 2-490 - cam rotates 90° and the key can be removed in the locked position.

Cams without projection: 2-481 and 2-491 - cam rotates 180° and the key can be removed in both open and locked position.

Supplied with two keys.

The master key system (marked with *) is supplied on request only.

CYLINDER LOCK 18 - 56 mm					
P/N, Chrome	P/N, Black	Cylinder	Nut	A	C
241334	241534	Keyed alike, IL 101	Standard	28	18
241335	241535	Keyed alike, IL 101	Earthing nut	28	18
241336	241536	Keyed to differ	Standard	28	18
241337	241539	Keyed to differ	Earthing nut	28	18
241336-HNS*	241536-HNS*	Master key system*	Standard	28	18
241356	241556	Keyed alike, IL 101	Standard	32	56
241358	241558	Keyed alike, IL 101	Earthing nut	32	56
241357	241557	Keyed to differ	Standard	32	56
241359	241559	Keyed to differ	Earthing nut	32	56
241357-HNS	241557-HNS	Master key system	Standard	32	56