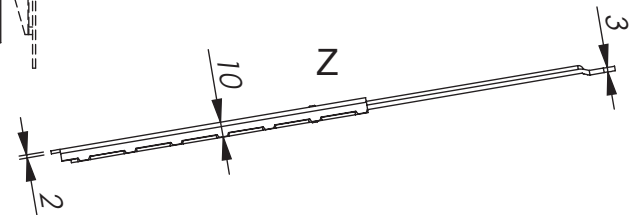
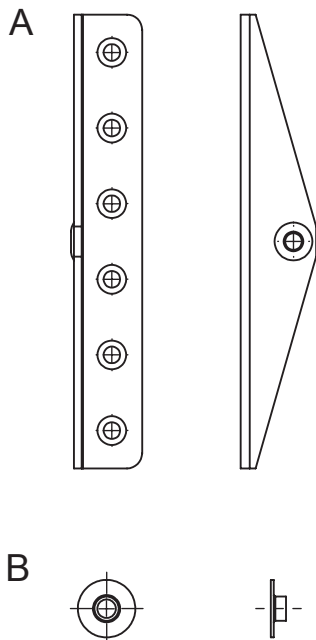
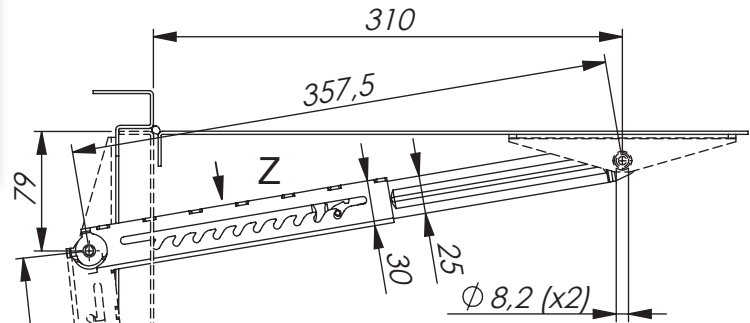
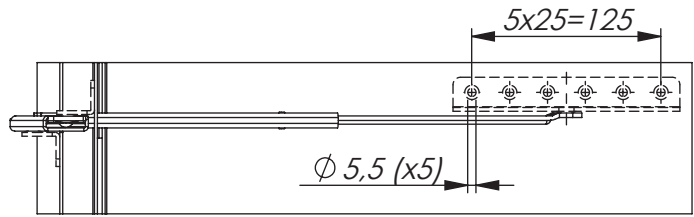
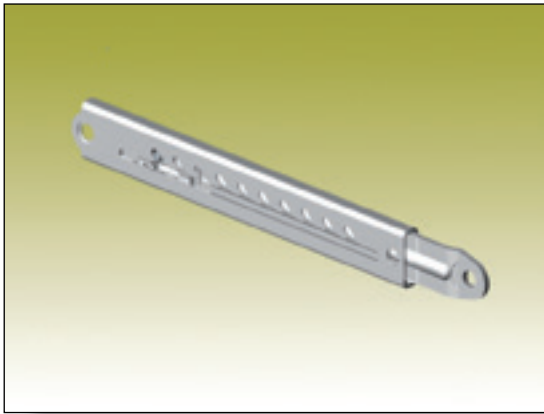


- 1
Rod latch systems
- 2
Quarter-turns
- 3
Hinges
- 4
Sealing profiles
- 5
Miscellaneous
- 6
Stainless



TELESCOPIC COVER SUPPORT

Telescopic cover support. The cover support keeps the door open at several positions. To close the door or panel, simply open it to its maximum open position and the cover support will unlock and slide back to the closed position. Universal left and right mounting.

Optional items are mounting bracket (drawing A) and bushing (drawing B) and must be ordered separately. The bushings are placed in the two mounting holes and will reduce friction and prevent wear on the cover support. The bushings may be used with or without the mounting bracket.

MATERIAL:

Cover support: Steel, zinc plated.
Mounting bracket: Steel, zinc plated.
Bushings: Steel, zinc plated.

TELESCOPIC COVER SUPPORT	
P/N	Description
552304	Cover support
55230401	Mounting bracket (Drawing A)
552304-1	Bushing (Drawing B). Order two pcs per Cover Support