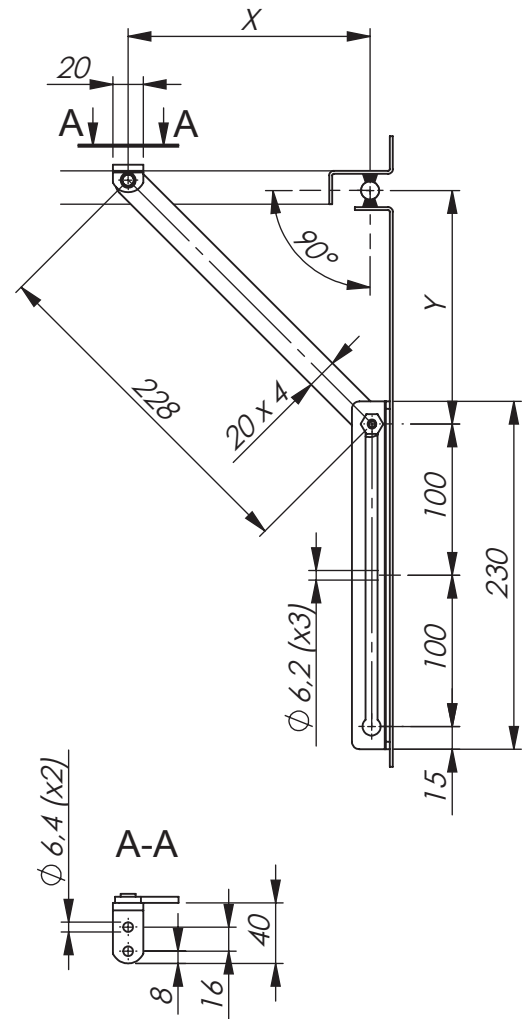
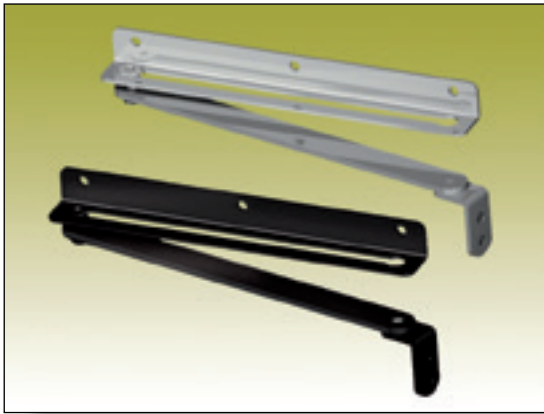


- 1  
Rod latch systems
- 2  
Quarter-turns
- 3  
Hinges
- 4  
Sealing profiles
- 5  
Miscellaneous
- 6  
Stainless



## DOOR RETAINER

Heavy-duty door retainer. Automatically locks the door in the wide open position. Universal left or right mounting. Screw or weld-on mounting.

Stainless version: Page 6-600.

### MATERIAL:

Steel, zinc plated or black coated.

SPECIFICATIONS			
Opening angle	X=mm	Y=mm	Min. door width mm
90°	140	180	403
105°	120	166	389
120°	110	150	373
135°	100	146	369

DOOR RETAINER		
P/N	Material	Surface treatment
542104	Steel	Zinc plated
542504	Steel	Black