

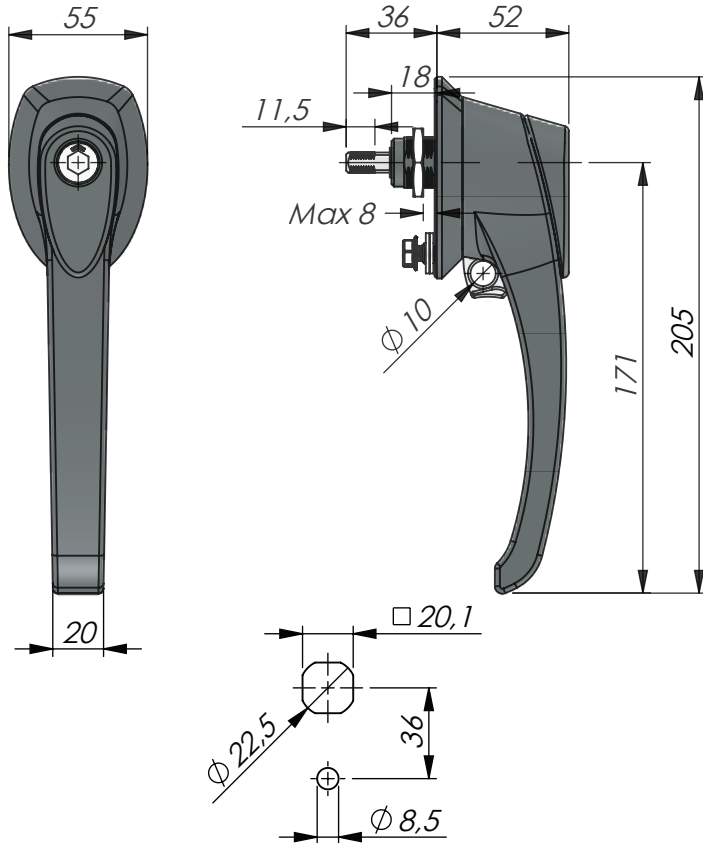


**Material:**

- Handle: Zinc die-cast, black texture powder coated. Insert and padlock loop: Zinc die-cast, chrome plated.
- Nut: Zinc die-cast, zinc plated.
- Screws: Steel, zinc plated.
- Cast-in shaft: Hardened steel, zinc plated.
- Gaskets: TPE and NBR.

**References, Accessories:**

- Stainless compact defeater handle: Page 6-210.
- Cams: See page 2-481 and 2-491.
- Rods: Page 2-540, 2-541 and 2-545.
- Keys: Page 2-370 and 2-372.



Padlockable defeater handle equipped with a built-in spring loaded insert, providing a defeater function making the handle compliant with two-handed safety operations requirements. Also equipped with a padlock loop (with  $\varnothing 10$  mm hole) for optional locking. To operate the handle, turn the insert, push the padlock loop and turn the handle. The cast-in threaded steel shaft allows simple cam adjustment. Removable stop for clockwise or counter-clockwise operation. Supplied with nut, screws and gasket. Protection degree IP65, also classed "Waterproof according to NEMA 4". Cut-out is "Combi"-style, with an additional  $\varnothing 8,5$  mm hole.

Products marked with \* are key-locking and are supplied with two keys.

Key extraction: Closed.

**Padlockable Defeater Handle - 36 mm**

P/N	Description - insert	P/N	Description - insert
261621-01	Hexagon 11	261621-20	Slotted
261621-07	Square 6	261621-21	Recessed hexagon 10
261621-08	Square 7	261621-22	Recessed hexagon 8
261621-09	Square 8	261621-23	Hexagon 8.5
261621-10	Square 8 / slotted	261621-24	ES3
261621-11	Square 8 / M6	261621-28	Triangle 10 / M5
261621-12	Triangle 7	261621-41	Slotted, recessed
261621-13	Triangle 8	261621-47	Recessed hexagon 8 / 3 mm pin
261621-14	Triangle 10	261621-48	Recessed square 8.
261621-15	Triangle 10 / M6	261621-49	Slotted 3 mm
261621-16	Double Bit 3	261622-10	Cylinder lock keyed alike (IL101) *
261621-17	Double Bit 5	261622-20	Cylinder lock keyed to differ *
261621-18	Daimler Benz	261623	Solid plug. No defeater - only padlock trigger
261621-19	Triangle 10 / SEN		