

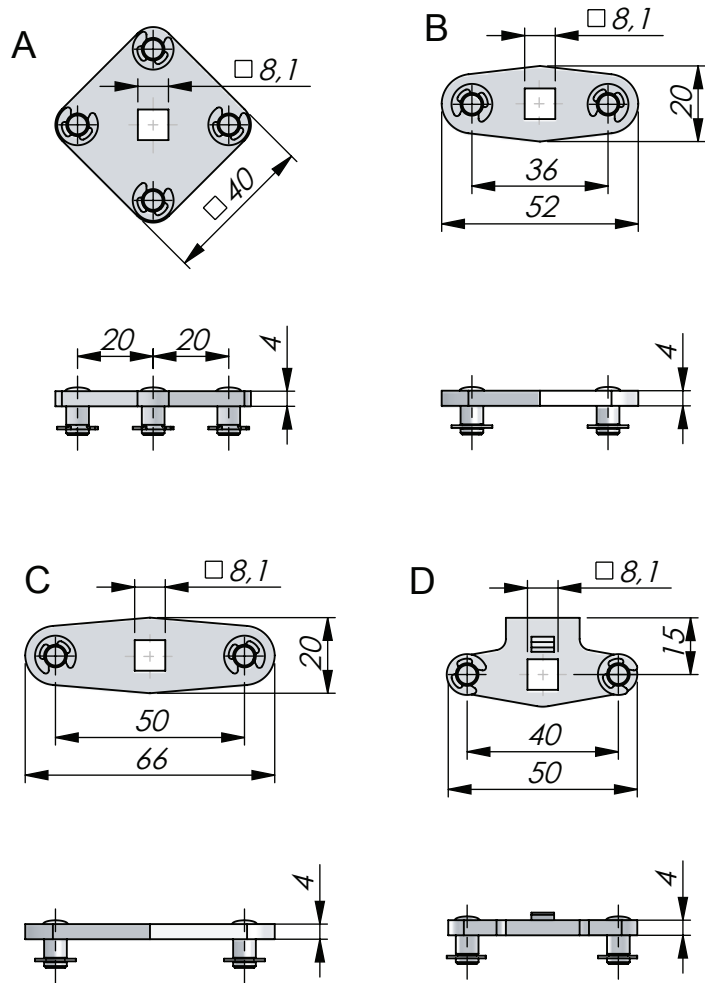


Material:

- Steel, zinc plated or stainless steel (304).

References, Accessories:

- Rods: Page 2-540, 2-541 and 2-545.



Two- and four-point cams for rod systems. Supplied with E-clips.

Multi-Point Cam with Projection

P/N	Description	Material	Drawing	Stroke
2321S09-00M	Two-point cam	Steel	D	20
2330S09-00M	Two-point cam	Stainless steel	D	20

Multi-Point Cam without Projection

P/N	Description	Material	Drawing	Stroke
2321S09-004U	Four-point cam	Steel	A	20
2321S09-00U	Two-point cam	Steel	D	20
2321S09-00U-36	Two-point cam	Steel	B	18
2321S09-00U-50	Two-point cam	Steel	C	25
2330S09-00U	Two-point cam	Stainless steel	D	20