

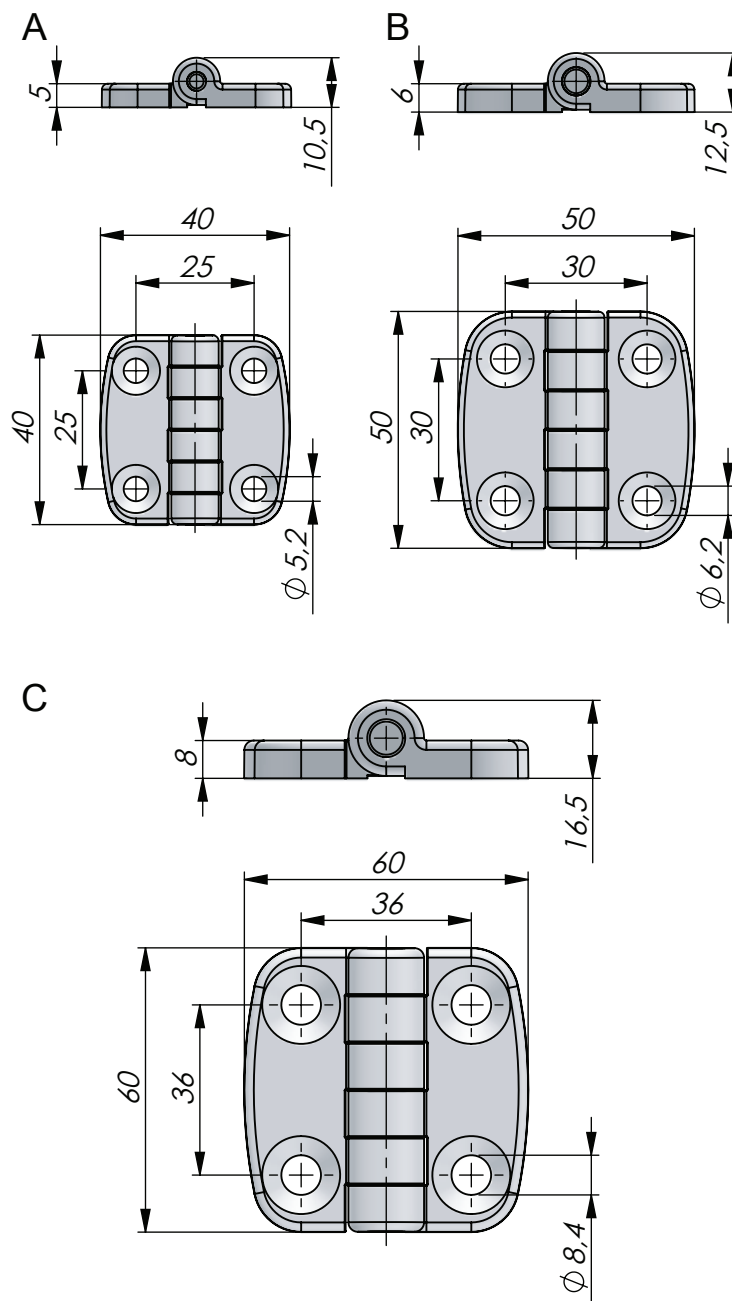


Material:

- Acid-proof stainless steel (316).
Brushed surface finish.

References, Accessories:

- Zinc version: Page 3-351, 3-361, 3-371, 3-381 and 3-391.



Acid-proof stainless steel (316) external hinge. Opening angle 270°. Universal left and right mounting.

External Hinge - 180° Opening Angle - Acid-Proof

P/N	Description, size W x L	Drawing
3290-600404-30	40 x 40 mm	A
3290-600504-30	50 x 50 mm	B
3290-600604-30	60 x 60 mm	C