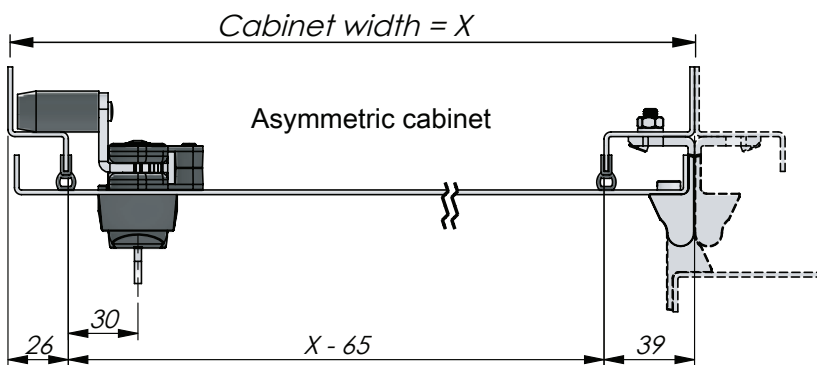


Symmetric frame, surface mounted door

Cabinet with standard frame. Door is not covering the total width of frame. Visible hinges. Opening angle door: 140°.

References

- Rod latch system: 1-008.13a-d
- Swing or Lift handle, escutcheon: various
- Hinge: 3-451
- Sealing profiles: chapter 4

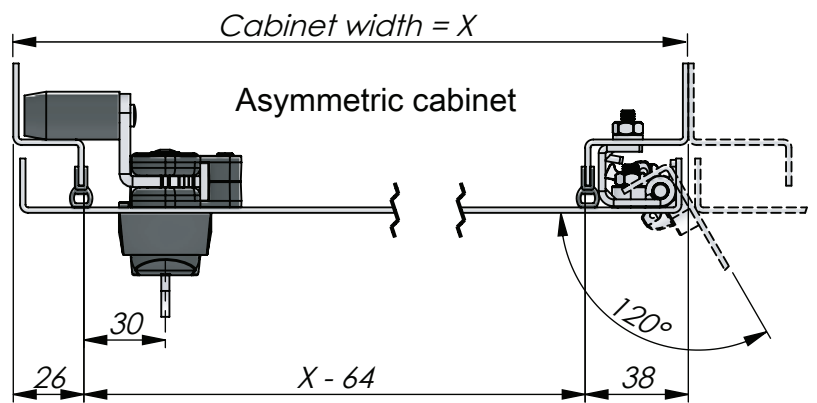


Asymmetric frame, surface mounted door, joined cabinets

Minimized space for frame design, maximal usable cabinet width. External hinges optional with earthing kit. Opening angle door: 180°.

References

- Rod latch system: 1-008.13a-d
- Swing or Lift handle, escutcheon: various
- Hinge: 3-310
- Sealing profiles: chapter 4

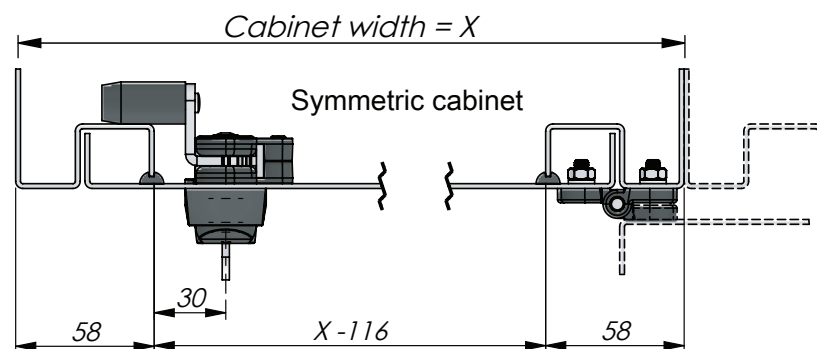


Asymmetric frame, surface mounted door

Minimized space for frame design, maximized usable cabinet width. Concealed hinges. Opening angle door: 120°.

References

- Rod latch system: 1-008.13a-d
- Swing or Lift handle, escutcheon: various
- Hinges: 3-094, 3-095
- Sealing profiles: chapter 4



Symmetric frame, flush door

For flush mounted doors minimized space for frame design, maximized usable cabinet width. External hinges, optional lift-off function. Opening angle door: 180°.

References

- Rod latch system: 1-008.13a-d
- Swing or Lift handle, escutcheon: various
- Hinges: 3-328 to 3-413
- Sealing profiles: chapter 4

1 Rod Latch

2 Latches

3 Hinges

4 Sealing profiles

5 Miscellaneous

6 Stainless steel